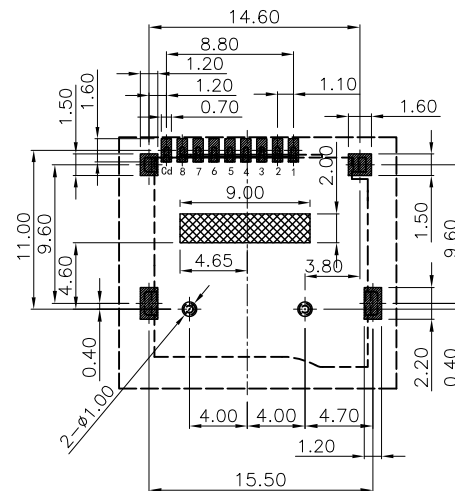
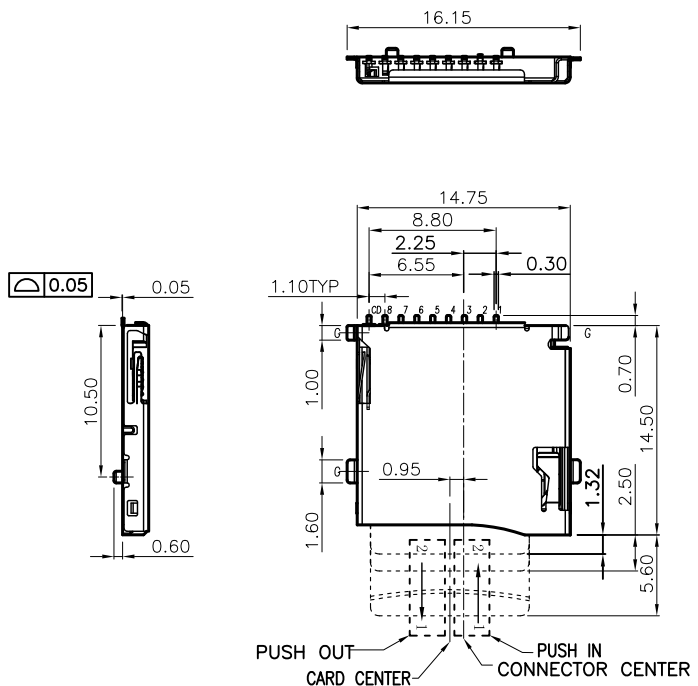


REV.	DESCRIPTION	DATE
A	RELEASE	Nov 05, 2013



MATERIALS

- HOUSING :THERMOPLASTIC (UL 94V-0).
- TERMINAL : COPPER ALLOY.
PLATING : PLATING SEE TABLE.
- SHELL : COPPER ALLOYS OR STEEL.
PLATING :TIN OVER NICKEL.

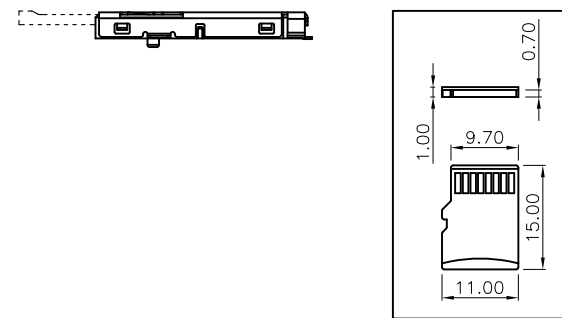
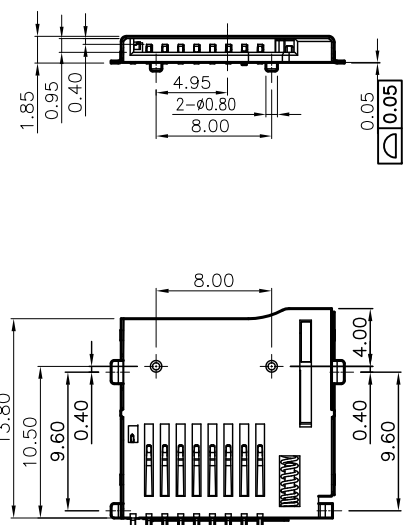
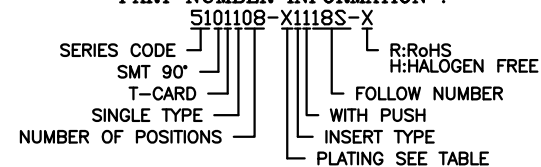
SPECIFICATION

- CURRENT RATING : 0.5 A. MAX.
- DIELECTRIC WITHSTANDING VOLTAGE :
500V AC R.M.S. FOR 1 MINUTE.
- INSULATION RESISTANCE : 1000MΩ MIN.AT 500V DC.
- CONTACT RESISTANCE : 400mΩ MAX.
- OPERATING TEMPERATURE :-25°C~+70°C.

RECOMMEND PCB LAYOUT
TOLERANCE: ±0.05
TOP VIEW

- PCB AREA
- CONNECT AREA
- KEEP OUT AREA

PART NUMBER INFORMATION :



PIN NO.	NAME	YTP	DESCRIPTION
1	DAT2	I/O/PP	DATE LINE(BIT2)
2	CD/DAT3	I/O/PP	CARD DETECT DATE LIN(BIT3)
3	CMD	PP	COMMAND RESPONSE
4	VDD	S	SUPPLY VOLTAGE
5	CLX	I	CLOCK
6	VSS	S	SUPPLY VOLTAGE GROUND
7	DATO	I/O/PP	DATE LINE(BIT0)
8	DAT1		

DESCRIPTION OF PLATING ON TERMINALS			
NO.	EXPLAIN	NO.	EXPLAIN
0	GOLD FLASH	3	GOLD 15u"
1	GOLD 5u"	4	GOLD 20u"
2	GOLD 10u"	6	GOLD 30u"

TOLERANCE .0=±0.35 .00=±0.25 .000=±0.05 ANG.=±3°	DRAWER 21 CHECK 21 APP'D JLWX	<p>INMO 东莞市英墨电子有限公司 INMO Electronics Co.,Ltd</p>
UNITS : mm SCALE NONE SIZE A6 SHEET 1 OF 1 REV. C	PRODUCT SPEC. —	
		<p>NAME T-FLASH 8+1P PUSH 1.85H.(板上外埠)</p> <p>DRAW NO. R5101108-X1118S-X</p>